

Docklocs®

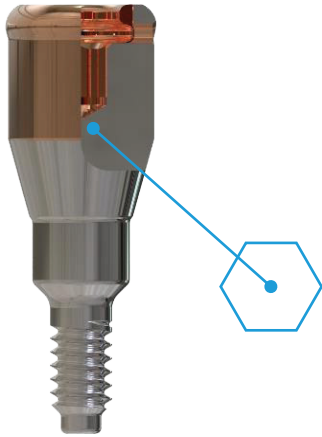
OVERDENTURE ATTACHMENT SYSTEM



Ordering Information



The New Standard in Overdenture Attachment Systems



Innovative Coating Technology

Patented

Our patented fully **biocompatible ceramic PVD (physical vapor deposition) coating** provides many advantages over alternative abutment coatings. Comprised of a tremendously hard layer of **Zirconium Carbonitride (ZrCN)**, the abutment coating is more resistant to abrasion and wear compared to other common coatings. Additionally, its impressive rose gold tone blends well with the gingiva and provides a premium appearance.

Dual Abutment Drive Mechanism

In addition to the compatible **tri-lobe drive mechanism**, Docklocs abutments feature a **1,25 mm hex drive mechanism** in the center of the abutment for simple seating using commonly available drivers. This ensures that the abutments meet the needs of a wide variety of clinicians without requiring the purchase of additional tooling.

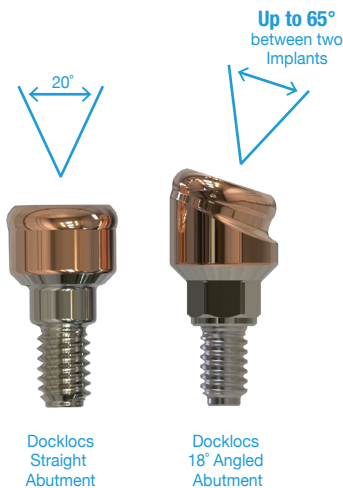
Precision Retention Inserts in Two Variations

Nylon (Industry Standard)

Retention inserts are a critical component of any overdenture attachment system and it is vital that their performance be consistently high to maintain patient satisfaction. The indispensable experience of our expert engineers ensures the performance and functionality of Docklocs retention inserts meet or exceed your expectations. Nylon retention inserts have evolved over the past 15 years to be the industry standard with high patient satisfaction.

High Performance Polyamide

These retention inserts have a lower tendency to absorb water and a high resistance to chemicals and fats, including alcoholic disinfectants. The inserts are extremely durable and have an excellent dynamic load capacity.



Docklocs Straight Abutment

Docklocs 18° Angled Abutment

18° Angled Abutments

The availability of 18° angled abutments allows for the restoration of implants with up to 65° of divergence between them. This is a vast improvement over competitive systems that are not indicated for divergence over 20°. Further simplifying abutment placement are Docklocs indexing features and set screws, which allow angled abutments to be quickly and easily seated in the desired orientation.

Enhanced Denture Housings

Docklocs Denture Caps have an easily recognizable design that minimizes width and has grooves and enhanced anti-rotational flat sections for additional mechanical retention in the denture. For prostheses with thin acrylic, select the Docklocs anodized Denture Cap for a more aesthetic appearance. All Denture Caps are made from medical device grade titanium for superior performance.



Docklocs Standard Denture Cap

Docklocs Anodized Denture Cap

Docklocs Enhanced Denture Cap Available with All-in-One Packaging

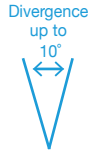
Available All-in-One Packaging

Further adding to the convenience of the Docklocs Overdenture Attachment System is the availability of all-in-one packaging that contains all of the necessary items to complete a case on a single tray. This includes a denture housing and retention inserts in every variation of force as well as a parallel post and convenient abutment carrier for angled abutments. Contact us today for more information on available packaging.



Part Number	Description	Price
-------------	-------------	-------

Processing Packs



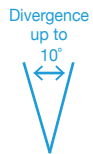
A0055.S.ZT (2 Pack) A0055.T.ZT (10 Pack)	Standard Processing Pack Includes standard Denture Cap with black processing insert, three standard pivot retention levels and a block-out spacer		
A0055.S.ZTA (2 Pack) A0055.T.ZTA (10 Pack)	Standard Processing Pack with Enhanced Cap Includes pink anodized Denture Cap with black processing insert, three standard pivot retention levels and a block-out spacer		
A0056.S.ZT (2 Pack) A0056.T.ZT (10 Pack)	Extended Pivot Processing Pack Includes standard Denture Cap with black processing insert, three extended pivot retention levels and a block-out spacer		
A0056.S.ZTA (2 Pack) A0056.T.ZTA (10 Pack)	Extended Pivot Processing Pack with Enhanced Cap Includes pink anodized Denture Cap with black processing insert, three extended pivot retention levels and a block-out spacer		



Denture Caps

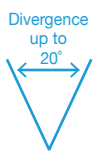
A0010.SZ (4 Pack) A0010.SZT (10 Pack)	Standard Denture Cap Assembly including black processing insert		
A0011.SZ (4 Pack) A0011.SZT (10 Pack)	Denture Cap Assembly anodized pink including black processing insert		
A0010.S (4 Pack)	Enhanced Denture Cap Assembly red including black processing insert		

Standard Retention Inserts



A0002.SZ (4 Pack) A0002.SZT (20 Pack)	Blue Low Retention Insert		
A0003.SZ (4 Pack) A0003.SZT (20 Pack)	Pink Medium Retention Insert		
A0004.SZ (4 Pack) A0004.SZT (20 Pack)	Clear High Retention Insert		

Extended Pivot Retention Inserts



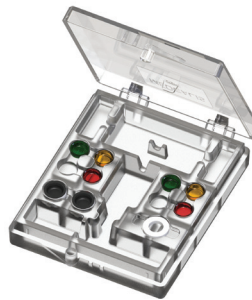
A0001.SZ (4 Pack) A0001.SZT (20 Pack)	Gray Zero Retention Extended Pivot Insert		
A0005.SZ (4 Pack) A0005.SZT (20 Pack)	Red Low Retention Extended Pivot Insert		
A0006.SZ (4 Pack) A0006.SZT (20 Pack)	Orange Medium Retention Extended Pivot Insert		
A0007.SZ (4 Pack) A0007.SZT (20 Pack)	Green High Retention Extended Pivot Insert		

Docklocs High Performance Polyamide (HPP) Retention Inserts

Low tendency to absorb water and high resistance to chemicals and fats.
Available in Processing Pack configurations or Replacement Packs in quantities of 8 per package.
Conveniently packaged on trays for easy pickup with the Docklocs Universal Tool.



Standard Processing Pack



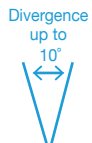
Extended Pivot Processing Pack



Blue HPP Replacement Insert 8-Pack

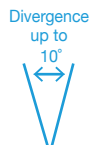
Part Number	Description	Price
-------------	-------------	-------

Processing Packs with High Performance Polyamide Retention Inserts



A0050.S.T (2 Pack)	Standard Processing Pack with HPP Retention Inserts Includes Enhanced Denture Cap with black processing insert, three standard pivot HPP retention levels and a block-out spacer		
A0051.S.T (2 Pack)	Extended Pivot Processing Pack with HPP Retention Inserts Includes Enhanced Denture Cap with black processing insert, three extended pivot HPP retention levels and a block-out spacer		

Standard High Performance Polyamide Retention Inserts


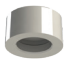


A0002.S4 (4 Pack) A0002.S8 (8 Pack) A0002.S20 (20 Pack)	Blue HPP Low Retention Insert		
A0003.S4 (4 Pack) A0003.S8 (8 Pack) A0003.S20 (20 Pack)	Pink HPP Medium Retention Insert		
A0004.S4 (4 Pack) A0004.S8 (8 Pack) A0004.S20 (20 Pack)	Clear HPP High Retention Insert		



Extended Pivot High Performance Polyamide Retention Inserts









A0001.S4 (4 Pack) A0001.S8 (8 Pack) A0001.S20 (20 Pack)	Gray HPP Zero Retention Extended Pivot Insert		
A0005.S4 (4 Pack) A0005.S8 (8 Pack) A0005.S20 (20 Pack)	Red HPP Low Retention Extended Pivot Insert		
A0006.S4 (4 Pack) A0006.S8 (8 Pack) A0006.S20 (20 Pack)	Orange HPP Medium Retention Extended Pivot Insert		
A0007.S4 (4 Pack) A0007.S8 (8 Pack) A0007.S20 (20 Pack)	Green HPP High Retention Extended Pivot Insert		

Part Number	Description		Price
Lab Processing			
A0014.SZ (4 Pack) A0014.SZT (20 Pack)	Abutment Lab Analog (4mm Diameter)		
A0026.SZ (4 Pack) A0026.SZT (20 Pack)	Angled Abutment Lab Analog (4mm Diameter)		
A0015.SZ (4 Pack) A0015.SZT (20 Pack)	Impression Coping (includes black processing insert)		
A0012.SZ (4 Pack) A0012.SZT (20 Pack)	Processing Spacer		

Bar Components			
A0102.S (2 Pack) A0102.Z (10 Pack)	Docklocs Abutment for Bar, 2.0mm Thread		
A0017.SZ (4 Pack) A0017.SZT (20 Pack)	Yellow Bar Processing Insert		
A0011.SZB (4 Pack) A0011.SZBT (10 Pack)	Bar Cap Assembly - Enhanced Cap Includes: Pink Titanium Denture Cap with Yellow Bar Processing Insert		
A0057.S.ZTA (2 Pack) A0057.T.ZTA (10 Pack)	Bar Processing Pack Assembly with Enhanced Cap		
A0010.SZB (4 Pack) A0010.SZBT (10 Pack)	Bar Cap Assembly - Standard Cap Includes: Titanium Denture Cap with Yellow Bar Processing Insert		
A0057.S.ZT (2 Pack) A0057.T.ZT (10 Pack)	Bar Processing Pack Assembly with Standard Cap		

Replacement Components			
A0008.SZ (4 Pack) A0008.SZT (20 Pack)	Black Processing Insert		
A0009.SZ (20 Pack)	Block-Out Spacer		

Tools and Drivers			
A0013	Angle Measurement Guide		
A0019	Universal Tool, 2-Piece		
A0020	Universal Tool, 4-Piece with ZrCN coating and PEEK Abutment Holder		
A0022	Tri-Lobe Driver for Latch Handpiece		
A0023	Tri-Lobe Driver for Latch Handpiece with PEEK Abutment Holder		
A0025	Hexagonal Driver for Latch Handpiece, 1,25mm Tip		

Docklocs Straight Abutments are conveniently packed in protective plastic vials for familiarity and minimal waste.



Straight Abutments	Cuff Height						
	0mm	1mm	2mm	3mm	4mm	5mm	6mm

Bego							
Implant Platform	0mm	1mm	2mm	3mm	4mm	5mm	6mm
Sub-Tec S / RI / RS / RSX 3.75mm-4.1mm		B0001.H	B0002.H	B0003.H	B0004.H	B0005.H	
Sub-Tec S / RI / RS / RSX 4.5 mm		B0011.H	B0012.H	B0013.H	B0014.H	B0015.H	

BioHorizons®							
Implant Platform	0mm	1mm	2mm	3mm	4mm	5mm	6mm
Tapered Internal Implant System 3.5 mm	BH0000.H	BH0001.H	BH0002.H	BH0003.H	BH0004.H	BH0005.H	
Tapered Internal Implant System 4.5 mm	BH0010.H	BH0011.H	BH0012.H	BH0013.H	BH0014.H	BH0015.H	
Tapered Internal Implant System 5.7 mm		BH0021.H	BH0022.H	BH0023.H	BH0024.H	BH0025.H	

Bredent							
Implant Platform	0mm	1mm	2mm	3mm	4mm	5mm	6mm
SKY®		BR0001.H	BR0002.H	BR0003.H	BR0004.H		BR0006.H
copaSKY®		BR0011.H	BR0012.H	BR0013.H	BR0014.H		BR0016.H

CAMLOG®							
Implant Platform	0mm	1mm	2mm	3mm	4mm	5mm	6mm
iSy®		C0001.H	C0002.H	C0003.H	C0004.H	C0005.H	
CAMLOG® 3.3 mm		C0011.H	C0012.H	C0013.H	C0014.H	C0015.H	
CAMLOG® 3.8 mm		C0021.H	C0022.H	C0023.H	C0024.H	C0025.H	
CAMLOG® 4.3 mm		C0031.H	C0032.H	C0033.H	C0034.H	C0035.H	
CAMLOG® 5.0 mm		C0041.H	C0042.H	C0043.H	C0044.H	C0045.H	
CONELOG® 3.3 mm		C0051.H	C0052.H	C0053.H	C0054.H	C0055.H	
CONELOG® 3.8 mm		C0061.H	C0062.H	C0063.H	C0064.H	C0065.H	
CONELOG® 4.3 mm		C0071.H	C0072.H	C0073.H	C0074.H	C0075.H	
CONELOG® 5.0 mm		C0081.H	C0082.H	C0083.H	C0084.H	C0085.H	

C-TECH IMPLANT							
Implant Platform	0mm	1mm	2mm	3mm	4mm	5mm	6mm
EL / Esthetic Line		CT0001.H	CT0002.H	CT0003.H	CT0004.H	CT0005.H	CT0006.H

Dentsply Sirona®							
Implant Platform	0mm	1mm	2mm	3mm	4mm	5mm	6mm
Astra OsseoSpeed® TX Aqua 3.5mm/4mm		AS0001.H	AS0002.H	AS0003.H	AS0004.H	AS0005.H	
Astra OsseoSpeed® TX Lilac 4.5mm/5mm		AS0011.H	AS0012.H	AS0013.H	AS0014.H	AS0015.H	
Astra OsseoSpeed® EV 3.6 mm		AS0021.H	AS0022.H	AS0023.H	AS0024.H	AS0025.H	
Astra OsseoSpeed® EV & Profile EV 4.2 mm		AS0031.H	AS0032.H	AS0033.H	AS0034.H	AS0035.H	
Astra OsseoSpeed® EV & Profile EV 4.8 mm		AS0041.H	AS0042.H	AS0043.H	AS0044.H	AS0045.H	
Ankylos® C/X		D0001.H	D0002.H	D0003.H	D0004.H	D0005.H	D0006.H



Straight Abutments	Cuff Height						
	0mm	1mm	2mm	3mm	4mm	5mm	6mm

Medentis

ICX		M0001.H	M0002.H	M0003.H	M0004.H	M0005.H	
-----	--	---------	---------	---------	---------	---------	--

MegaGen

AnyRidge®		MG0001.H	MG0002.H	MG0003.H	MG0004.H	MG0005.H	MG0006.H
AnyOne® Internal		MG0021.H	MG0022.H	MG0023.H	MG0024.H	MG0025.H	MG0026.H
AnyOne® Onestage		MG0011.H	MG0012.H	MG0013.H	MG0014.H	MG0015.H	MG0016.H
AnyOne® Mini		MG0031.H	MG0032.H	MG0033.H	MG0034.H	MG0035.H	MG0036.H

Neodent®

Grand Morse®		NE0001.H	NE0002.H	NE0003.H	NE0004.H	NE0005.H	NE0006.H
--------------	--	----------	----------	----------	----------	----------	----------

Nobel Biocare®

NobelReplace® Tri-Channel 3.5mm	N0000.H	N0001.H	N0002.H	N0003.H	N0004.H	N0005.H	N0006.H
NobelReplace® Tri-Channel 4.3mm	N0010.H	N0011.H	N0012.H	N0013.H	N0014.H	N0015.H	N0016.H
NobelReplace® Tri-Channel 5.0mm		N0021.H	N0022.H	N0023.H	N0024.H	N0025.H	N0026.H
NobelActive® Conical NP		N0031.H	N0032.H	N0033.H	N0034.H	N0035.H	N0036.H
NobelActive® Conical RP		N0041.H	N0042.H	N0043.H	N0044.H	N0045.H	N0046.H
Brånemark System® External Hex NP		N0051.H	N0052.H	N0053.H	N0054.H	N0055.H	N0056.H
Brånemark System® External Hex RP		N0061.H	N0062.H	N0063.H	N0064.H	N0065.H	N0066.H
Brånemark System® External Hex WP		N0071.H	N0072.H	N0073.H	N0074.H	N0075.H	

Osstem®/ Hiossen®

TS System Mini (Yellow) ET System Mini (Yellow)		O0001.H	O0002.H	O0003.H	O0004.H	O0005.H	O0006.H
TS System Regular (Green) ET System Regular (Green)		O0011.H	O0012.H	O0013.H	O0014.H	O0015.H	O0016.H



Straight Abutments	Cuff Height						
	0mm	1mm	2mm	3mm	4mm	5mm	6mm

Southern Implants®

Implant Platform	0mm	1mm	2mm	3mm	4mm	5mm	6mm
External Hex 3.0 mm		SI0001.H	SI0002.H	SI0003.H	SI0004.H	SI0005.H	SI0006.H
External Hex 3.25 mm		SI0011.H	SI0012.H	SI0013.H	SI0014.H	SI0015.H	SI0016.H
External Hex 4.0 mm		SI0021.H	SI0022.H	SI0023.H	SI0024.H	SI0025.H	SI0026.H
Tri Nex® 3.5 mm	SI0070.H	SI0071.H	SI0072.H	SI0073.H	SI0074.H	SI0075.H	SI0076.H
Tri Nex® 4.3 mm	SI0080.H	SI0081.H	SI0082.H	SI0083.H	SI0084.H	SI0085.H	SI0086.H
Tri Nex® 5.0 mm		SI0091.H	SI0092.H	SI0093.H	SI0094.H	SI0095.H	SI0096.H
Deep Conical 3.0 mm		SI00101.H	SI00102.H	SI00103.H	SI00104.H	SI00105.H	SI00106.H
Deep Conical 3.5 mm / 4.0 mm		SI00111.H	SI00112.H	SI00113.H	SI00114.H	SI00115.H	
Deep Conical 5.0 mm		SI00121.H	SI00122.H	SI00123.H	SI00124.H	SI00125.H	

Straumann®

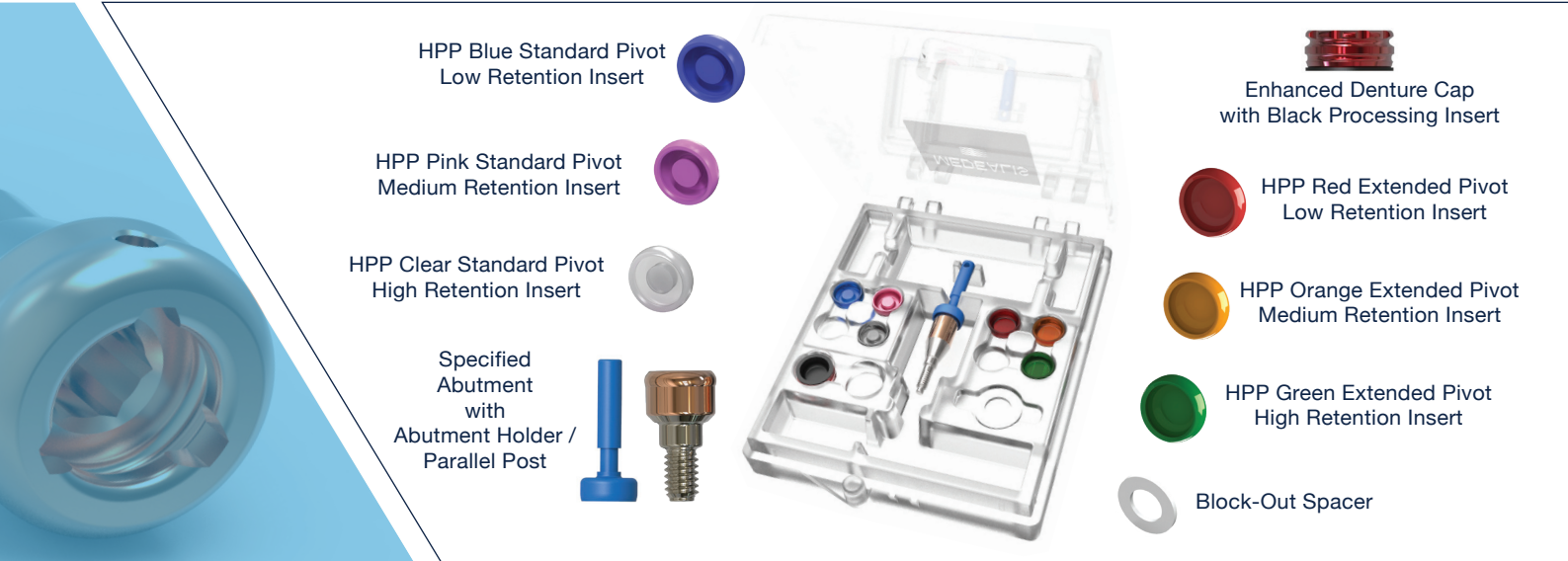
Implant Platform	0mm	1mm	2mm	3mm	4mm	5mm	6mm
Bone Level NC		S0001.H	S0002.H	S0003.H	S0004.H	S0005.H	S0006.H
Bone Level RC		S0011.H	S0012.H	S0013.H	S0014.H	S0015.H	S0016.H
Tissue Level NNC		S0041.H	S0042.H	S0043.H	S0044.H	S0045.H	S0046.H
Tissue Level RN		S0031.H	S0032.H	S0033.H	S0034.H	S0035.H	S0036.H
Tissue Level WN		S0021.H	S0022.H	S0023.H	S0024.H	S0025.H	S0026.H

ZimVie®

Implant Platform	0mm	1mm	2mm	3mm	4mm	5mm	6mm
Tapered Screw-Vent® 3.5mm	Z0000.H	Z0001.H	Z0002.H	Z0003.H	Z0004.H	Z0005.H	Z0006.H
Tapered Screw-Vent® 4.5mm	Z0010.H	Z0011.H	Z0012.H	Z0013.H	Z0014.H	Z0015.H	Z0016.H
Tapered Screw-Vent® 5.7mm		Z0021.H	Z0022.H	Z0023.H	Z0024.H	Z0025.H	Z0026.H
3i External Hex NP 3.25mm/3.4mm		Z0031.H	Z0032.H	Z0033.H	Z0034.H	Z0035.H	
3i External Hex RP ø4.1mm		Z0061.H	Z0062.H	Z0063.H	Z0064.H	Z0065.H	Z0066.H
3.4mm Certain® Connection		Z0041.H	Z0042.H	Z0043.H	Z0044.H	Z0045.H	Z0046.H
4.1mm Certain® Connection		Z0051.H	Z0052.H	Z0053.H	Z0054.H	Z0055.H	Z0056.H

Docklocs Straight Abutments with All-in-One Packaging

Standard Abutments Packaged with Ancillary Components for Your Convenience



All-in-One Packaging	Cuff Height						
	Implant Platform	0mm	1mm	2mm	3mm	4mm	5mm

Bego

Sub-Tec S / RI / RS / RSX 3.75 mm-4.1 mm		B0001.S.T	B0002.S.T	B0003.S.T	B0004.S.T	B0005.S.T	
Sub-Tec S / RI / RS / RSX 4.5 mm		B0011.S.T	B0012.S.T	B0013.S.T	B0014.S.T	B0015.S.T	

BioHorizons®

Tapered Internal Implant System 3.5 mm	BH0000.S.T	BH0001.S.T	BH0002.S.T	BH0003.S.T	BH0004.S.T	BH0005.S.T	
Tapered Internal Implant System 4.5 mm	BH0010.S.T	BH0011.S.T	BH0012.S.T	BH0013.S.T	BH0014.S.T	BH0015.S.T	
Tapered Internal Implant System 5.7 mm		BH0021.S.T	BH0022.S.T	BH0023.S.T	BH0024.S.T	BH0025.S.T	

Bredent

SKY®		BR0001.S.T	BR0002.S.T	BR0003.S.T	BR0004.S.T		BR0006.S.T
copaSKY®		BR0011.S.T	BR0012.S.T	BR0013.S.T	BR0014.S.T		BR0016.S.T

C-TECH IMPLANT

EL / Esthetic Line		CT0001.S.T	CT0002.S.T	CT0003.S.T	CT0004.S.T	CT0005.S.T	CT0006.S.T*
--------------------	--	------------	------------	------------	------------	------------	-------------

All-in-One Packaging	Cuff Height						
Implant Platform	0mm	1mm	2mm	3mm	4mm	5mm	6mm

CAMLOG®

iSy®		C0001.S.T	C0002.S.T	C0003.S.T	C0004.S.T	C0005.S.T	
CAMLOG® 3.3 mm		C0011.S.T	C0012.S.T	C0013.S.T	C0014.S.T	C0015.S.T	
CAMLOG® 3.8 mm		C0021.S.T	C0022.S.T	C0023.S.T	C0024.S.T	C0025.S.T	
CAMLOG® 4.3 mm		C0031.S.T	C0032.S.T	C0033.S.T	C0034.S.T	C0035.S.T	
CAMLOG® 5.0 mm		C0041.S.T	C0042.S.T	C0043.S.T	C0044.S.T	C0045.S.T	
CONELOG® 3.3 mm		C0051.S.T	C0052.S.T	C0053.S.T	C0054.S.T	C0055.S.T	
CONELOG® 3.8 mm		C0061.S.T	C0062.S.T	C0063.S.T	C0064.S.T	C0065.S.T	
CONELOG® 4.3 mm		C0071.S.T	C0072.S.T	C0073.S.T	C0074.S.T	C0075.S.T	
CONELOG® 5.0 mm		C0081.S.T	C0082.S.T	C0083.S.T	C0084.S.T	C0085.S.T	

Dentsply Sirona®

Astra OsseoSpeed® TX Aqua 3.5mm/4mm		AS0001.S.T	AS0002.S.T	AS0003.S.T	AS0004.S.T	AS0005.S.T	
Astra OsseoSpeed® TX Lilac 4.5mm/5mm		AS0011.S.T	AS0012.S.T	AS0013.S.T	AS0014.S.T	AS0015.S.T	
Astra OsseoSpeed® EV 3.6 mm		AS0021.S.T	AS0022.S.T	AS0023.S.T	AS0024.S.T	AS0025.S.T	
Astra OsseoSpeed® EV & Profile EV 4.2 mm		AS0031.S.T	AS0032.S.T	AS0033.S.T	AS0034.S.T	AS0035.S.T	
Astra OsseoSpeed® EV & Profile EV 4.8 mm		AS0041.S.T	AS0042.S.T	AS0043.S.T	AS0044.S.T	AS0045.S.T	
Ankylos® C/X		D0001.S.T	D0002.S.T	D0003.S.T	D0004.S.T	D0005.S.T	D0006.S.T

Medentis

ICX		M0001.S.T	M0002.S.T	M0003.S.T	M0004.S.T	M0005.S.T	
-----	--	-----------	-----------	-----------	-----------	-----------	--

MegaGen

AnyRidge®		MG0001.S.T	MG0002.S.T	MG0003.S.T	MG0004.S.T	MG0005.S.T	MG0006.S.T
AnyOne® Internal		MG0021.S.T	MG0022.S.T	MG0023.S.T	MG0024.S.T	MG0025.S.T	MG0026.S.T
AnyOne® Onestage		MG0011.S.T	MG0012.S.T	MG0013.S.T	MG0014.S.T	MG0015.S.T	MG0016.S.T
AnyOne® Mini		MG0031.S.T	MG0032.S.T	MG0033.S.T	MG0034.S.T	MG0035.S.T	MG0036.S.T

Neodent®

Grand Morse®		NE0001.S.T	NE0002.S.T	NE0003.S.T	NE0004.S.T	NE0005.S.T	NE0006.S.T
--------------	--	------------	------------	------------	------------	------------	------------

Nobel Biocare®

NobelReplace® Tri-Channel 3.5 mm	N0000.S.T	N0001.S.T	N0002.S.T	N0003.S.T	N0004.S.T	N0005.S.T	N0006.S.T
NobelReplace® Tri-Channel 4.3 mm	N0010.S.T	N0011.S.T	N0012.S.T	N0013.S.T	N0014.S.T	N0015.S.T	N0016.S.T
NobelReplace® Tri-Channel 5.0 mm		N0021.S.T	N0022.S.T	N0023.S.T	N0024.S.T	N0025.S.T	N0026.S.T
NobelActive® Conical NP		N0031.S.T	N0032.S.T	N0033.S.T	N0034.S.T	N0035.S.T	N0036.S.T
NobelActive® Conical RP		N0041.S.T	N0042.S.T	N0043.S.T	N0044.S.T	N0045.S.T	N0046.S.T
Brånemark System® External Hex NP		N0051.S.T	N0052.S.T	N0053.S.T	N0054.S.T	N0055.S.T	N0056.S.T
Brånemark System® External Hex RP		N0061.S.T	N0062.S.T	N0063.S.T	N0064.S.T	N0065.S.T	N0066.S.T
Brånemark System® External Hex WP		N0071.S.T	N0072.S.T	N0073.S.T	N0074.S.T	N0075.S.T	

All-in-One Packaging	Cuff Height						
Implant Platform	0mm	1mm	2mm	3mm	4mm	5mm	6mm

Osstem®/ Hiossen®

TS System Mini (Yellow) ET System Mini (Yellow)		O0001.S.T	O0002.S.T	O0003.S.T	O0004.S.T	O0005.S.T	O0006.S.T
TS System Regular (Green) ET System Regular (Green)		O0011.S.T	O0012.S.T	O0013.S.T	O0014.S.T	O0015.S.T	O0016.S.T

Southern Implants®

External Hex 3.0 mm		SI0001.S.T	SI0002.S.T	SI0003.S.T	SI0004.S.T	SI0005.S.T	SI0006.S.T
External Hex 3.25 mm		SI0011.S.T	SI0012.S.T	SI0013.S.T	SI0014.S.T	SI0015.S.T	SI0016.S.T
External Hex 4.0 mm		SI0021.S.T	SI0022.S.T	SI0023.S.T	SI0024.S.T	SI0025.S.T	SI0026.S.T
Tri Nex® 3.5 mm	SI0070.S.T	SI0071.S.T	SI0072.S.T	SI0073.S.T	SI0074.S.T	SI0075.S.T	SI0076.S.T
Tri Nex® 4.3 mm	SI0080.S.T	SI0081.S.T	SI0082.S.T	SI0083.S.T	SI0084.S.T	SI0085.S.T	SI0086.S.T
Tri Nex® 5.0 mm		SI0091.S.T	SI0092.S.T	SI0093.S.T	SI0094.S.T	SI0095.S.T	SI0096.S.T
Deep Conical 3.0 mm		SI00101.S.T	SI00102.S.T	SI00103.S.T	SI00104.S.T	SI00105.S.T	SI00106.S.T
Deep Conical 3.5 mm / 4.0 mm		SI00111.S.T	SI00112.S.T	SI00113.S.T	SI00114.S.T	SI00115.S.T	
Deep Conical 5.0 mm		SI00121.S.T	SI00122.S.T	SI00123.S.T	SI00124.S.T	SI00125.S.T	

Straumann®

Bone Level NC		S0001.S.T	S0002.S.T	S0003.S.T	S0004.S.T	S0005.S.T	S0006.S.T
Bone Level RC		S0011.S.T	S0012.S.T	S0013.S.T	S0014.S.T	S0015.S.T	S0016.S.T
Tissue Level NNC		S0041.S.T	S0042.S.T	S0043.S.T	S0044.S.T	S0045.S.T	S0046.S.T
Tissue Level RN		S0031.S.T	S0032.S.T	S0033.S.T	S0034.S.T	S0035.S.T	S0036.S.T
Tissue Level WN		S0021.S.T	S0022.S.T	S0023.S.T	S0024.S.T	S0025.S.T	S0026.S.T

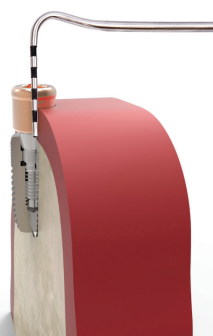
ZimVie®

Tapered Screw-Vent® 3.5 mm	Z0000.S.T	Z0001.S.T	Z0002.S.T	Z0003.S.T	Z0004.S.T	Z0005.S.T	Z0006.S.T
Tapered Screw-Vent® 4.5 mm	Z0010.S.T	Z0011.S.T	Z0012.S.T	Z0013.S.T	Z0014.S.T	Z0015.S.T	Z0016.S.T
Tapered Screw-Vent® 5.7 mm		Z0021.S.T	Z0022.S.T	Z0023.S.T	Z0024.S.T	Z0025.S.T	Z0026.S.T
3i External Hex NP 3.25 mm / 3.4 mm		Z0031.S.T	Z0032.S.T	Z0033.S.T	Z0034.S.T	Z0035.S.T	
3i External Hex RP 4.1 mm		Z0061.S.T	Z0062.S.T	Z0063.S.T	Z0064.S.T	Z0065.S.T	Z0066.S.T
3.4 mm Certain® Connection		Z0041.S.T	Z0042.S.T	Z0043.S.T	Z0044.S.T	Z0045.S.T	Z0046.S.T
4.1 mm Certain® Connection		Z0051.S.T	Z0052.S.T	Z0053.S.T	Z0054.S.T	Z0055.S.T	Z0056.S.T



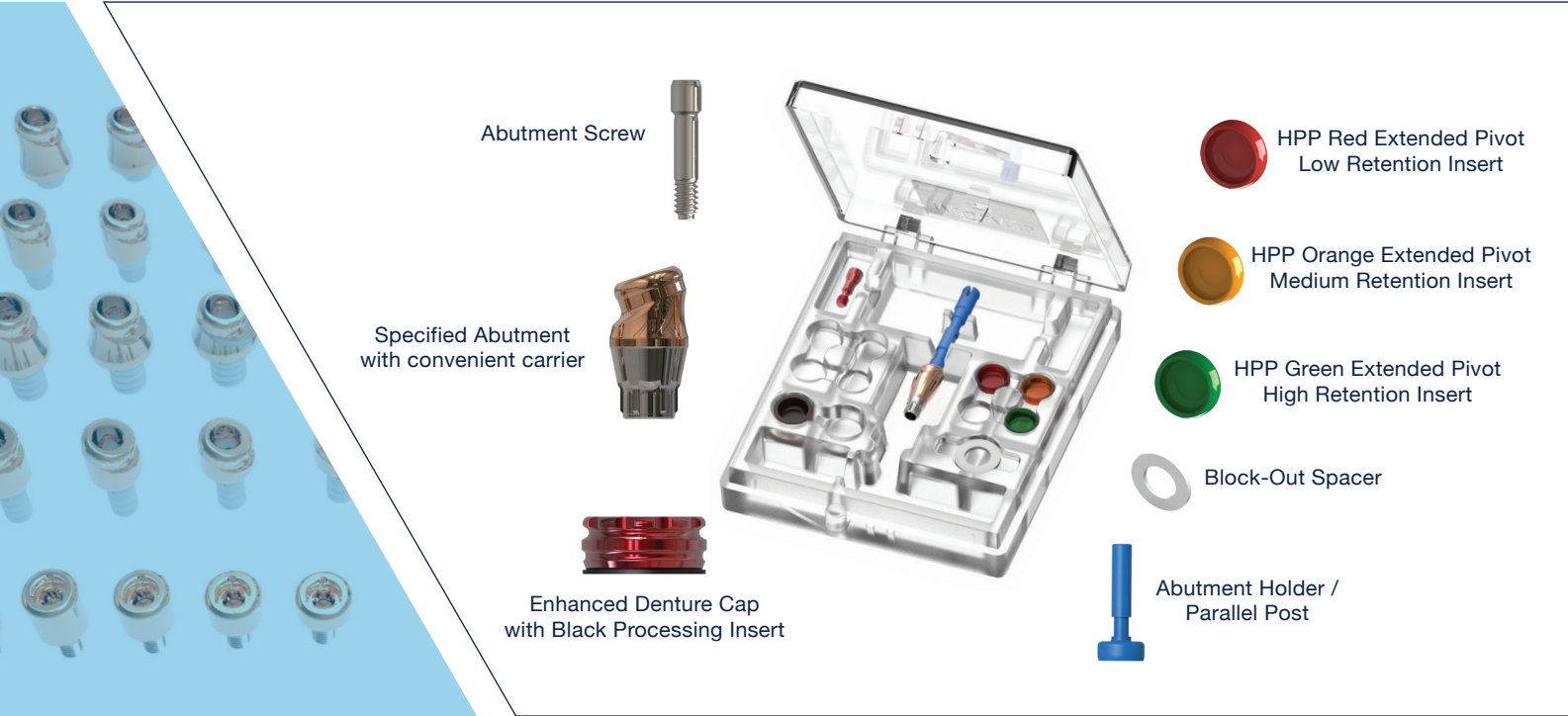
Cuff Height Selection

1. With a periodontal probe, measure the highest point of the gingiva from the top of the implant.
2. Select the Docklocs abutment cuff height that best corresponds to that measurement. If the measurement is 3mm, select the 3mm cuff height. If the measurement is 3,5mm, select the 4mm cuff. An additional 1,75mm of the abutment will extend above the gingiva to allow the prosthesis to be properly seated without tissue impingement. Cuff height measurements for angled abutments are to be determined with the same process. If you are unsure about the correct cuff height for your case, please contact us.



Docklocs 18° Angled Abutments with All-in-One Packaging

All Necessary Components to Complete a Case in a Single Package



18° Angled Abutments	Cuff Height						
	Variation (A/B)	1mm	2mm	3mm	4mm	5mm	6mm

Bego

Implant Platform	Variation (A/B)	1mm	2mm	3mm	4mm	5mm	6mm
Sub-Tec S / RI / RS / RSX 3.75mm-4.1mm	A	B0701.S.T	B0702.S.T	B0703.S.T	B0704.S.T	B0705.S.T	
Sub-Tec S / RI / RS / RSX 3.75mm-4.1mm	B	B0801.S.T	B0802.S.T	B0803.S.T	B0804.S.T	B0805.S.T	
Sub-Tec S / RI / RS / RSX 4.5 mm	A	B0711.S.T	B0712.S.T	B0713.S.T	B0714.S.T	B0715.S.T	
Sub-Tec S / RI / RS / RSX 4.5 mm	B	B0811.S.T	B0812.S.T	B0813.S.T	B0814.S.T	B0815.S.T	

BioHorizons®

Implant Platform	Variation (A/B)	1mm	2mm	3mm	4mm	5mm	6mm
Tapered Internal Implant System 3.5 mm	A	BH0701.S.T	BH0702.S.T	BH0703.S.T	BH0704.S.T	BH0705.S.T	
Tapered Internal Implant System 3.5 mm	B	BH0801.S.T	BH0802.S.T	BH0803.S.T	BH0804.S.T	BH0805.S.T	

Bredent

Implant Platform	Variation (A/B)	1mm	2mm	3mm	4mm	5mm	6mm
SKY®			BR0702.S.T		BR0704.S.T	BR0705.S.T	
copaSKY®			BR0712.S.T		BR0714.S.T	BR0715.S.T	



18° Angled Abutments	Cuff Height						
Implant Platform	Variation (A/B)	1mm	2mm	3mm	4mm	5mm	6mm

CAMLOG®

iSy®	A	C0701.S.T	C0702.S.T	C0703.S.T	C0704.S.T	C0705.S.T	
iSy®	B	C0801.S.T	C0802.S.T	C0803.S.T	C0804.S.T	C0805.S.T	
CAMLOG® 3.3 mm	A	C0711.S.T	C0712.S.T	C0713.S.T	C0714.S.T	C0715.S.T	
CAMLOG® 3.3 mm	B	C0811.S.T	C0812.S.T	C0813.S.T	C0814.S.T	C0815.S.T	
CAMLOG® 3.8 mm	A	C0721.S.T	C0722.S.T	C0723.S.T	C0724.S.T	C0725.S.T	
CAMLOG® 3.8 mm	B	C0821.S.T	C0822.S.T	C0823.S.T	C0824.S.T	C0825.S.T	
CAMLOG® 4.3 mm	A	C0731.S.T	C0732.S.T	C0733.S.T	C0734.S.T	C0735.S.T	
CAMLOG® 4.3 mm	B	C0831.S.T	C0832.S.T	C0833.S.T	C0834.S.T	C0835.S.T	
CAMLOG® 5.0 mm	A	C0741.S.T	C0742.S.T	C0743.S.T	C0744.S.T	C0745.S.T	
CAMLOG® 5.0 mm	B	C0841.S.T	C0842.S.T	C0843.S.T	C0844.S.T	C0845.S.T	
CONELOG® 3.3 mm	A	C0751.S.T	C0752.S.T	C0753.S.T	C0754.S.T	C0755.S.T	
CONELOG® 3.3 mm	B	C0851.S.T	C0852.S.T	C0853.S.T	C0854.S.T	C0855.S.T	
CONELOG® 3.8 mm	A	C0761.S.T	C0762.S.T	C0763.S.T	C0764.S.T	C0765.S.T	
CONELOG® 3.8 mm	B	C0861.S.T	C0862.S.T	C0863.S.T	C0864.S.T	C0865.S.T	
CONELOG® 4.3 mm	A	C0771.S.T	C0772.S.T	C0773.S.T	C0774.S.T	C0775.S.T	
CONELOG® 4.3 mm	B	C0871.S.T	C0872.S.T	C0873.S.T	C0874.S.T	C0875.S.T	
CONELOG® 5.0 mm	A	C0781.S.T	C0782.S.T	C0783.S.T	C0784.S.T	C0785.S.T	
CONELOG® 5.0 mm	B	C0881.S.T	C0882.S.T	C0883.S.T	C0884.S.T	C0885.S.T	

C-TECH IMPLANT

EL / Esthetic Line		CT0701.S.T	CT0702.S.T	CT0703.S.T		CT0705.S.T	
--------------------	--	------------	------------	------------	--	------------	--

Dentsply Sirona®

Astra OsseoSpeed® TX Aqua 3.5mm/4mm	A	AS0701.S.T	AS0702.S.T	AS0703.S.T	AS0704.S.T	AS0705.S.T	
Astra OsseoSpeed® TX Lilac 4.5mm/5mm	A	AS0711.S.T	AS0712.S.T	AS0713.S.T	AS0714.S.T	AS0715.S.T	
Astra OsseoSpeed® EV 3.6 mm	A	AS0721.S.T	AS0722.S.T	AS0723.S.T	AS0724.S.T	AS0725.S.T	
Astra OsseoSpeed® EV 3.6 mm	B	AS0821.S.T	AS0822.S.T	AS0823.S.T	AS0824.S.T	AS0825.S.T	
Astra OsseoSpeed® EV & Profile EV 4.2 mm	A	AS0731.S.T	AS0732.S.T	AS0733.S.T	AS0734.S.T	AS0735.S.T	
Astra OsseoSpeed® EV & Profile EV 4.2 mm	B	AS0831.S.T	AS0832.S.T	AS0833.S.T	AS0834.S.T	AS0835.S.T	
Astra OsseoSpeed® EV & Profile EV 4.8 mm	A	AS0741.S.T	AS0742.S.T	AS0743.S.T	AS0744.S.T	AS0745.S.T	
Astra OsseoSpeed® EV & Profile EV 4.8 mm	B	AS0841.S.T	AS0842.S.T	AS0843.S.T	AS0844.S.T	AS0845.S.T	
Ankylos® C/X	A	D0701.S.T	D0702.S.T	D0703.S.T	D0704.S.T	D0705.S.T	

Medentis

ICX	A	M0701.S.T	M0702.S.T	M0703.S.T	M0704.S.T	M0705.S.T	
ICX	B	M0801.S.T	M0802.S.T	M0803.S.T	M0804.S.T	M0805.S.T	

18° Angled Abutments	Cuff Height						
	Implant Platform	Variation (A/B)	1mm	2mm	3mm	4mm	5mm

MegaGen

AnyRidge®	A	MG0701.S.T (GH1,5mm)		MG0702.S.T (GH3,0mm)	MG0703.S.T (GH4,5mm)		
AnyRidge®	B	MG0801.S.T (GH1,5mm)		MG0802.S.T (GH3,0mm)	MG0803.S.T (GH4,5mm)		
AnyOne® Onestage	A	MG0711.S.T	MG0712.S.T	MG0713.S.T	MG0714.S.T	MG0715.S.T	

Nobel Biocare®

NobelReplace® Tri-Channel 3.5 mm	A	N0701.S.T	N0702.S.T	N0703.S.T	N0704.S.T	N0705.S.T	
NobelReplace® Tri-Channel 4.3 mm	A	N0711.S.T		N0713.S.T		N0715.S.T	
NobelActive® Conical NP	A	N0731.S.T		N0733.S.T		N0735.S.T	
NobelActive® Conical RP	A	N0741.S.T		N0743.S.T		N0745.S.T	
Brånemark System® External Hex NP	A	N0751.S.T		N0753.S.T		N0755.S.T	
Brånemark System® External Hex RP	A	N0761.S.T	N0762.S.T	N0763.S.T	N0764.S.T	N0765.S.T	

Southern Implants®

External Hex 3.25 mm	A	SI0711.S.T		SI0713.S.T		SI0715.S.T	
External Hex 4.0 mm	A	SI0721.S.T	SI0722.S.T	SI0723.S.T	SI0724.S.T	SI0725.S.T	
TRI-NEX® 3.5 mm	A	SI0771.S.T	SI0772.S.T	SI0773.S.T	SI0774.S.T	SI0775.S.T	
TRI-NEX® 4.3 mm	A	SI0781.S.T		SI0783.S.T		SI0785.S.T	
Deep Conical 3.5 mm / 4.0 mm	A	SI07111.S.T	SI07112.S.T	SI07113.S.T	SI07114.S.T	SI07115.S.T	
Deep Conical 5.0 mm	A	SI07121.S.T	SI07122.S.T	SI07123.S.T	SI07124.S.T	SI07125.S.T	

Straumann®

Bone Level NC	A	S0701.S.T	S0702.S.T	S0703.S.T	S0704.S.T	S0705.S.T	
Bone Level NC	B	S0801.S.T	S0802.S.T	S0803.S.T	S0804.S.T	S0805.S.T	
Bone Level RC	A	S0711.S.T	S0712.S.T	S0713.S.T	S0714.S.T	S0715.S.T	
Bone Level RC	B	S0811.S.T	S0812.S.T	S0813.S.T	S0814.S.T	S0815.S.T	
Tissue Level RN	A	S0731.S.T	S0732.S.T	S0733.S.T	S0734.S.T	S0735.S.T	
Tissue Level WN	A	S0721.S.T	S0722.S.T	S0723.S.T	S0724.S.T	S0725.S.T	

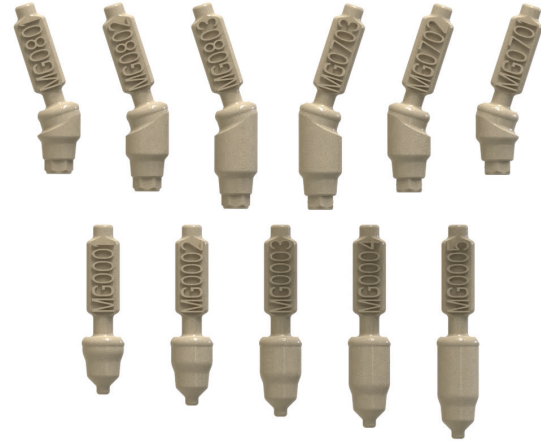
ZimVie®

Tapered Screw-Vent® 3.5 mm	A	Z0701.S.T	Z0702.S.T	Z0703.S.T	Z0704.S.T	Z0705.S.T	
Tapered Screw-Vent® 3.5 mm	B	Z0801.S.T	Z0802.S.T	Z0803.S.T	Z0804.S.T	Z0805.S.T	
Tapered Screw-Vent® 4.5 mm	A	Z0711.S.T		Z0713.S.T		Z0715.S.T	
3i External Hex NP 3.25 mm / 3.4 mm	A	Z0731.S.T		Z0733.S.T		Z0735.S.T	
3i External Hex RP 4.1 mm	A	Z0761.S.T	Z0762.S.T	Z0763.S.T	Z0764.S.T	Z0765.S.T	
4.1 mm Certain® Connection	A	Z0751.S.T		Z0753.S.T		Z0755.S.T	

Order the correct abutment every time with the innovative **Docklocs Selection Abutments**

Available for a variety of implant platforms*, Docklocs Selection Abutments take the guesswork out of abutment ordering. Our Selection Abutments allow you to choose the appropriate angulation (straight or 18° angled) for the restoration. To best utilize the anti-rotational features of each connection, angled Docklocs abutments are available in “A” and “B” variants.

Docklocs Selection Abutment packs include representations of straight abutments in a variety of cuff heights in order for you to verify your measurement and visualize the final abutment.



Bego	
Sub-Tec S / RI / RS / RSX 3.75 mm - 4.1 mm	AWB00.S
Sub-Tec S / RI / RS / RSX 4.5 mm	AWB01.S
CAMLOG®	
CAMLOG® 3.3 mm	AWC01.S
CAMLOG® 3.8 mm	AWC02.S
CAMLOG® 4.3 mm	AWC03.S
CONEOLOG® 3.8 mm	AWC06.S
CONEOLOG® 4.3 mm	AWC07.S
Dentsply Sirona®	
Astra OsseoSpeed® TX Aqua 3.5 mm / 4 mm	AWAS00.S
Astra OsseoSpeed® EV 3.6 mm	AWAS02.S
Astra OsseoSpeed® EV and Profile EV 4.2 mm	AWAS03.S
Medentis	
ICX	AWM00.S
MegaGen	
AnyRidge®	AWMG00.S

Nobel Biocare®	
NobelReplace® Tri-Channel 3.5 mm	AWN00.S
NobelReplace® Tri-Channel 4.3 mm	AWN01.S
NobelActive® Conical NP	AWN03.S
NobelActive® Conical RP	AWN04.S
Brånemark System® External Hex NP	AWN05.S
Brånemark System® External Hex RP	AWN06.S
Straumann®	
Bone Level NC	AWS00.S
Bone Level RC	AWS01.S
Tissue Level RN	AWS03.S
ZimVie®	
Tapered Screw-Vent® 3.5 mm	AWZ00.S
Tapered Screw-Vent® 4.5 mm	AWZ01.S
3i External Hex NP 3.25 mm / 3.4 mm	AWZ03.S

*New connections are being added on a regular basis, so please consult with your Docklocsdistributor for currently available Selection Abutments.



Docklocs®

OVERDENTURE ATTACHMENT SYSTEM

Distributed By:

≡ MEDEALIS

Im Steinböhl 9
69518 Abtsteinach
Germany
www.medealis.de
+49 6207 2032 597



Docklocs® is a registered trademark of MEDEALIS GmbH. BioHorizons® is a registered trademark of BioHorizons. CAMLOG®, CONELOG® and iSy® are registered trademarks of CAMLOG Biotechnologies AG. Dentsply Sirona®, OsseoSpeed® and Ankylos® are registered trademarks of Dentsply Sirona. AnyRidge® and AnyOne® are registered trademarks of MegaGen Implant Co., Ltd. Nobel Biocare®, Brånemark System®, NobelActive®, NobelReplace® and NobelSpeedy® are registered trademarks and NobelParallel™ and Replace Select™ are trademarks of Nobel Biocare Group. Co-Axis® is a registered trademark and Tri-Nex™ is a trademark of Southern Implants. Southern Implants® is a registered trademark of Southern Implants (Pty) Ltd. Zimmer Biomet®, Certain®, AdVent®, ScrewVent® and Tapered ScrewVent® are registered trademarks and Trabecular Metal™ is a trademark of Zimmer Biomet Dental. Straumann®, Neodent® and Grand Morse® are registered trademarks of Straumann Holding AG. Osstem® and Hiossen® are registered trademarks of Osstem Implant Co., Ltd. Please refer to individual product labeling or instructions for use for additional product information. Product availability may be limited to select countries and/or regions depending on regulatory clearances. Consult with your local distributor for more information. This material is intended for clinicians only and does not comprise medical advice or recommendations. This material may not be copied or reprinted without the express consent of MEDEALIS GmbH.
©2023 All Rights Reserved.